

APPLICATION INSTRUCTIONS

ASPHALT SHINGLES

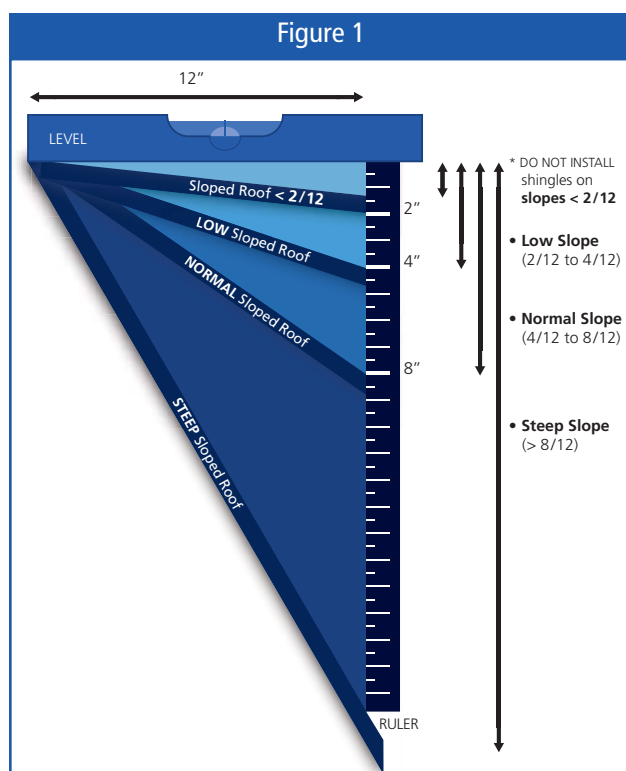


SECTION 2

PREPARATION, PROTECTION OF VULNERABLE AREAS & VENTILATION

- 2.1 Slope
- 2.2 Deck
- 2.3 Drip & Rake Edge
- 2.4 Ventilation

2.1 – SLOPE



* Conversion : $15/12 = [>50^\circ - 15 \text{ in/ft, } 15:12 (1:0.8)] = 125 \text{ cm/m}$

Figure 1 illustrates how to determine the slope of your roof. First, place a ruler perpendicular to a well balanced level on the 12" mark. The measurement reading on your ruler corresponds to the slope of your roof.

For slopes of 2/12 to 4/12, when using BP top-of-the-line 3-tab shingles MIRAGE GS, YUKON SB and DAKOTA follow the special application instructions outlined in Section 3.3.

For slopes of 3/12 to 4/12, BP laminate shingles MANOIR, EVEREST, MYSTIQUE and HARMONY may be installed using special application instructions outlined in Section 3.3.

For slopes superior to 4/12, all BP shingles can be installed.

BP Shingles should not be installed on roof slopes below 2/12.

Please refer to Table 2 found in Section 3.2.

2.2 – DECK

The deck must be in good condition. It must be dry, clean, flat, smooth and securely nailed. Plywood decking is recommended. For required thickness see National Building Codes. For the U.S.A., check local building codes for minimum requirements.

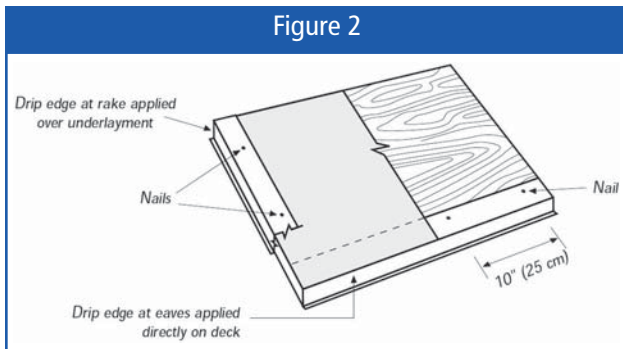
Failure to use proper decking materials can result in deck movement, which will distort or damage the overlying roofing materials. Distortion of roofing resulting from deck movement is not a manufacturing defect of the roofing product and is not covered by the warranty. Decks that are warped should be replaced as the shape will be transferred over the shingles. This is not a shingle manufacturing defect and is not covered by the warranty.

Due to the natural movement of wood caused by moisture content, varying degrees of buckling in the shingle may occur. If, however, leaking, due to buckling, occurs it is not the fault of the shingle but the roof deck itself. It is therefore recommended that plywood sheathing be applied over shiplap decks prior to installation of this shingle. Problems due to the deck will render the warranty void.

Shingles **must** not be nailed over insulation.

2.3 – DRIP & RAKE EDGE

A drip edge of metal (galvanized steel, sheet copper) should be applied on the eaves and rake edges. Apply the drip edge at the eaves directly to the wood deck and at the rake over the underlayment. Nail every 20 cm to 25 cm (8" to 10") (see **Figure 2**).



2.4 – VENTILATION

All roof structures must be provided with through ventilation to prevent entrapment of moisture-laden air beneath the deck. Minimum requirements are unobstructed vent areas of 1/300 ft² of the total insulated ceiling area for conventional roofs, some jurisdictions as well as low slope 2/12 to 4/12 or cathedral ceilings require 1/150 ft². Vent holes should be distributed as follows: 55% as the base of the roof (soffits) for air inflow and 45% at the ridge for air outflow.

The shingle warranty will only be valid if all structures are provided with proper through ventilation.

Ventilation is defined as the net free area. Consult your vent manufacturer to determine the net free area of your ventilator. Also ventilators must be placed in a way that one does not impede the effectiveness of the others.

Building Products of Canada Corp.

9510, St. Patrick Street, LaSalle (Quebec), Canada H8R 1R9
3703-101 Avenue N.E., Edmonton (Alberta), Canada T5J 2K8

If this application instructions differ from the instructions on the packaging, this document is to be considered current. Please make sure to download the most up to date version of this document from the Building Products of Canada Corp. website www.bpcan.com. Please refer to local building codes for addition installation requirements.